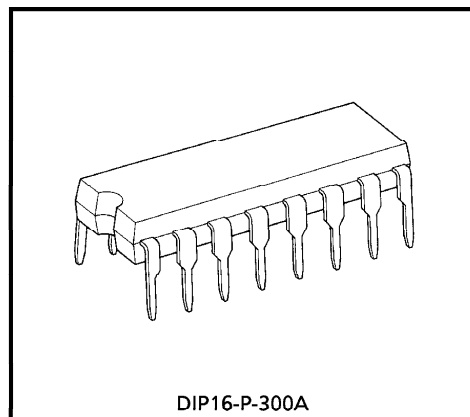


### 3V MONAURAL RADIO IC

The TA8164P is AM/FM Tuner (FM F/E + AM/FM IF) IC, which is designed for AM/FM monaural radio. Combining with the TA7368P (Mono PW IC), a suitable monaural AM/FM radio system is able to be constituted.

#### FEATURES

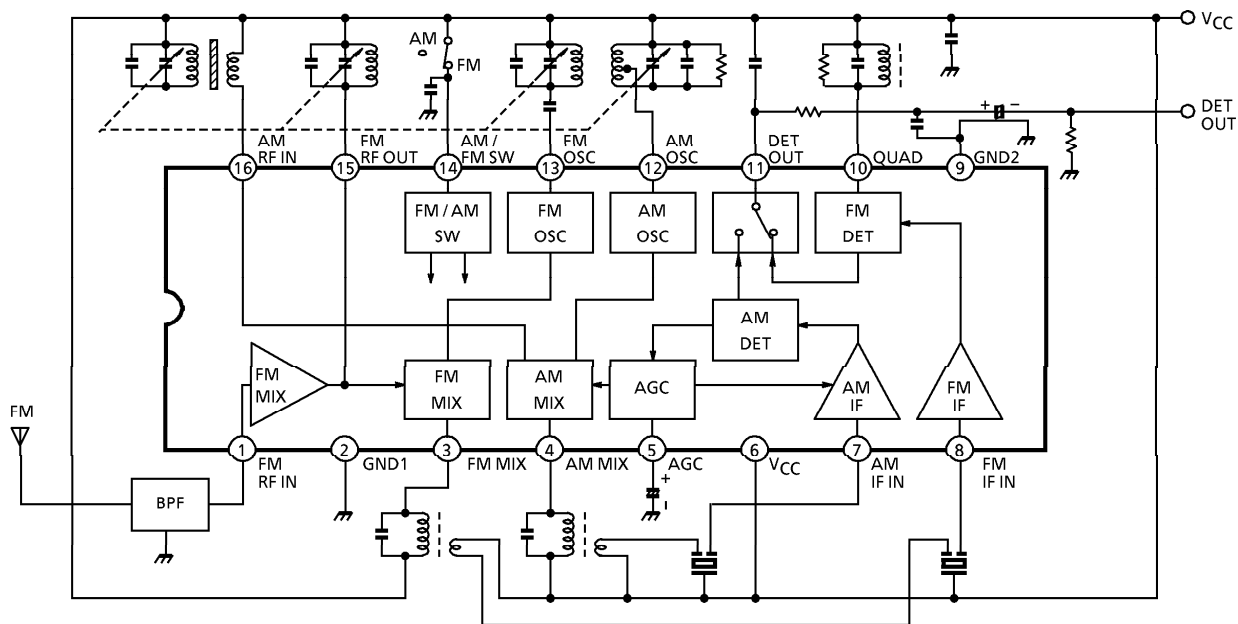
- Common output for AM/FM
- Switch over between AM/FM mode is possible with one-wake switch.
- Operating supply voltage range  
:  $V_{CC(opr)} = 1.8 \sim 7V$  ( $T_a = 25^\circ C$ )



DIP16-P-300A

Weight : 1.00g (Typ.)

#### BLOCK DIAGRAM



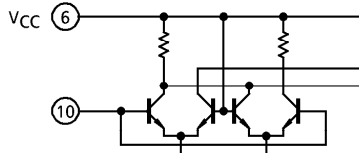
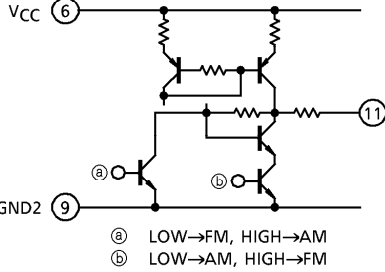
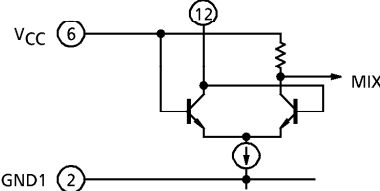
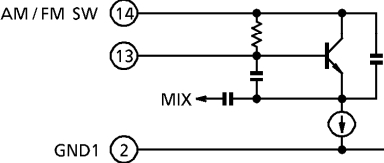
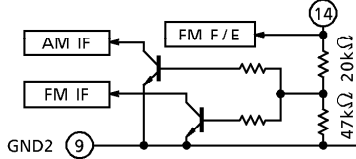
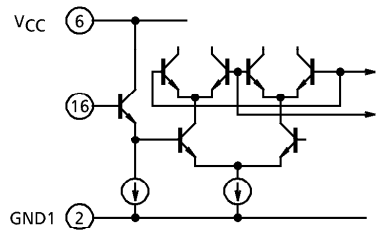
© The information contained herein is presented only as a guide for the applications of our products. No responsibility is assumed by TOSHIBA CORPORATION for any infringements of intellectual property or other rights of the third parties which may result from its use. No license is granted by implication or otherwise under any intellectual property or other rights of TOSHIBA CORPORATION or others.

© These TOSHIBA products are intended for use in general commercial applications (office equipment, communication equipment, measuring equipment, domestic appliances, etc.). please make sure that you consult with us before you use these TOSHIBA products in equipment which requires extraordinarily high quality and/or reliability, and in equipment which may involve life threatening or critical application, including but not limited to such uses as atomic energy control, airplane or spaceship instrumentation, traffic signals, medical instrumentation, combustion control, all types of safety devices, etc. TOSHIBA cannot accept and hereby disclaims liability for any damage which may occur in case the TOSHIBA products are used in such equipment or applications without prior consultation with TOSHIBA.

①

**EXPLANATION OF TERMINAL**

PIN No.	SYMBOL	INTERNAL CIRCUIT	DC VOLTAGE (V) (AT NO SIGNAL)	
			AM	FM
1	FM-RF IN		0	0.7
2	GND1 (GND for AM RF, OSC, MIX, FM RF, OSC, MIX)	—	0	0
3	FM MIX		3.0	3.0
4	AM MIX		3.0	3.0
5	AGC (AM AGC)		0	0
6	VCC	—	3.0	3.0
7	AM IF IN		3.0	3.0
8	FM IF IN		3.0	3.0

PIN No.	SYMBOL	INTERNAL CIRCUIT	DC VOLTAGE (V) (AT NO SIGNAL)	
			AM	FM
9	GND2 (GND for AM IF and FM IF)	—	0	0
10	QUAD (FM QUAD, Detector)		3.0	3.0
11	DET OUT	 (a) LOW→FM, HIGH→AM (b) LOW→AM, HIGH→FM	1.4	1.4
12	AM OSC		3.0	3.0
13	FM OSC		3.0	3.0
14	AM / FM SW PIN⑭ VCC →FM PIN⑭ OPEN →AM		—	3.0
15	FM RF OUT	cf. pin①	3.0	3.0
16	AM RF IN		3.0	3.0

**MAXIMUM RATINGS** (Ta = 25°C)

CHARACTERISTIC	SYMBOL	RATING	UNIT
Supply Voltage	V <sub>CC</sub>	8	V
Power Dissipation	P <sub>D</sub> (Note)	750	mW
Operating Temperature	T <sub>opr</sub>	-25~75	°C
Storage Temperature	T <sub>stg</sub>	-55~150	°C

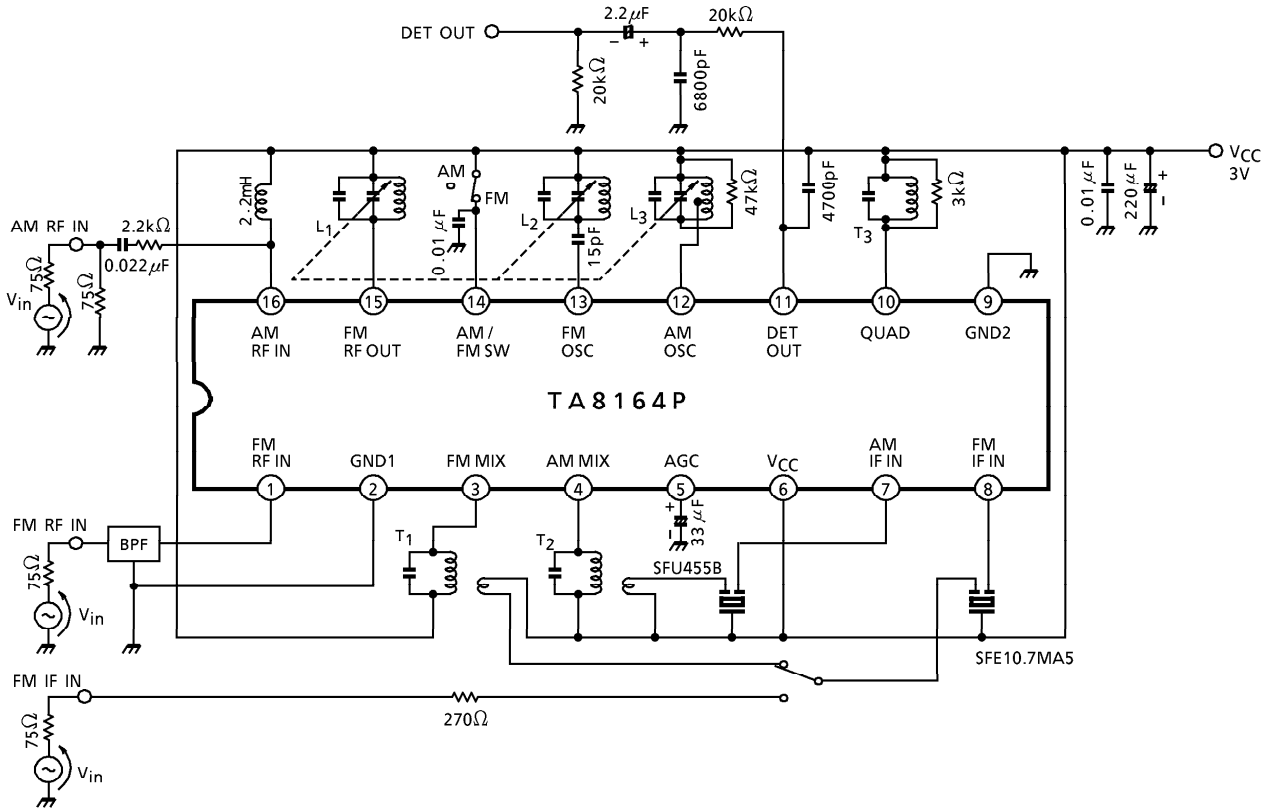
(Note) Derated above Ta = 25°C in the proportion of 6mW/°C.

**ELECTRICAL CHARACTERISTICS**

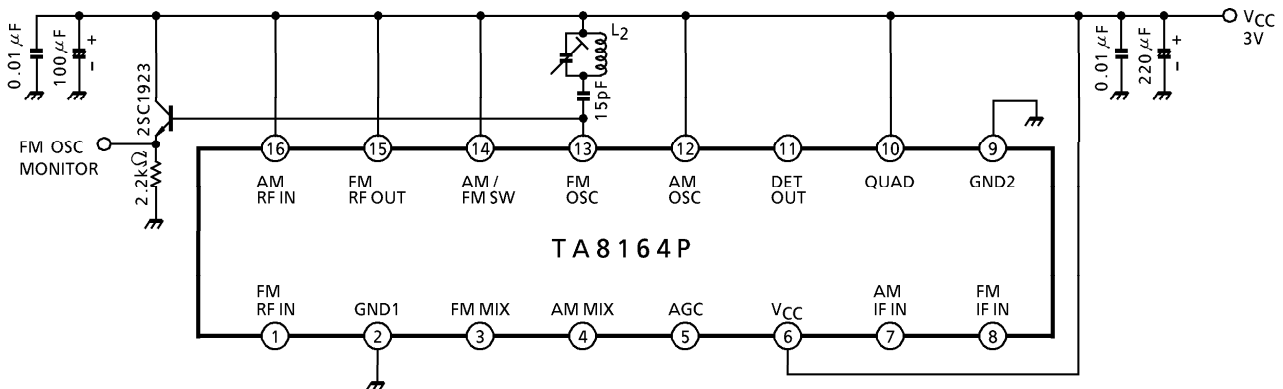
Unless otherwise specified, Ta = 25°C, V<sub>CC</sub> = 3V, F/E : f = 98MHz, f<sub>m</sub> = 1kHz  
 FM IF : f = 10.7MHz, Δf = ±22.5kHz, f<sub>m</sub> = 1kHz  
 AM : f = 1MHz, MOD = 30%, f<sub>m</sub> = 1kHz

CHARACTERISTIC		SYMBOL	TEST CIR- CUIT	TEST CONDITION	MIN.	TYP.	MAX.	UNIT
Supply Current		I <sub>CC</sub> (FM)	1	FM Mode V <sub>in</sub> = 0	—	10.5	15.5	mA
		I <sub>CC</sub> (AM)	1	AM Mode V <sub>in</sub> = 0	—	4.5	7.0	
FM F/E	Input Limiting Voltage	V <sub>in</sub> (lim)	1	-3dB limiting point	—	12	—	dBμV EMF
	Quiescent Sensitivity	Q <sub>S</sub>	1	S/N = 30dB	—	12	—	dBμV EMF
	Local OSC Voltage	V <sub>OSC</sub>	2	f <sub>OSC</sub> = 108MHz	150	205	280	mV <sub>rms</sub>
	Local OSC Stop Supply Voltage	V <sub>stop</sub> (FM)	2	V <sub>in</sub> = 0	—	1.2	—	V
FM IF	Input Limiting Voltage	V <sub>in</sub> (lim) IF	1	-3dB limiting point	44	50	56	dBμV EMF
	Recovered Output Voltage	V <sub>OD</sub>	1	V <sub>in</sub> = 80dBμV EMF	20	35	55	mV <sub>rms</sub>
	Signal To Noise Ratio	S/N	1	V <sub>in</sub> = 80dBμV EMF	—	62	—	dB
	Total Harmonic Distortion	THD	1	V <sub>in</sub> = 80dBμV EMF	—	0.4	—	%
	AM Rejection Ratio	AMR	1	V <sub>in</sub> = 80dBμV EMF	—	33	—	dB
AM	Gain	G <sub>V</sub>	1	V <sub>in</sub> = 30dBμV EMF	15	30	45	mV <sub>rms</sub>
	Recovered Output Voltage	V <sub>OD</sub>	1	V <sub>in</sub> = 60dBμV EMF	20	35	55	mV <sub>rms</sub>
	Signal To Noise Ratio	S/N	1	V <sub>in</sub> = 60dBμV EMF	—	43	—	dB
	Total Harmonic Distortion	THD	1	V <sub>in</sub> = 60dBμV EMF	—	1.0	—	%
	Local OSC Stop Supply Voltage	V <sub>stop</sub> (AM)	1	V <sub>in</sub> = 0	—	1.6	—	V

**TEST CIRCUIT 1**



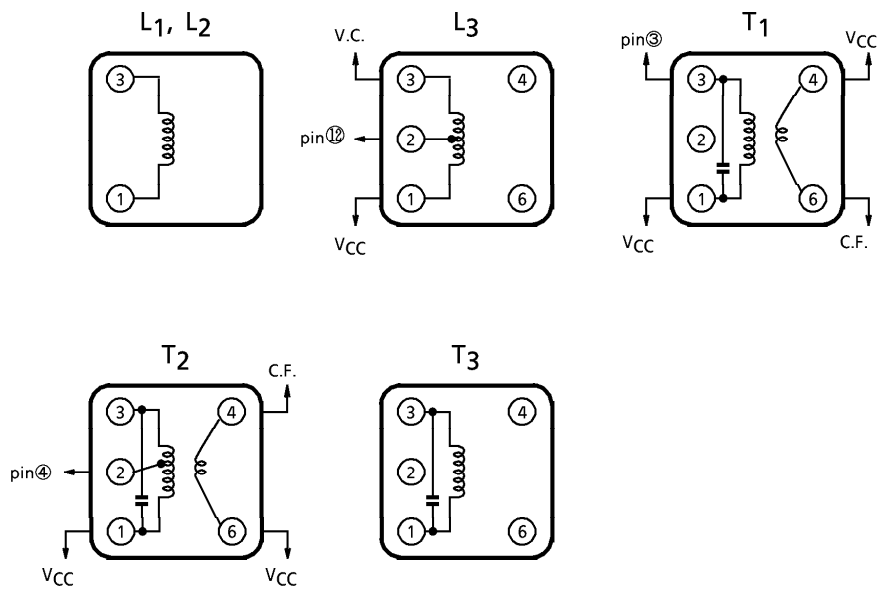
**TEST CIRCUIT 2**

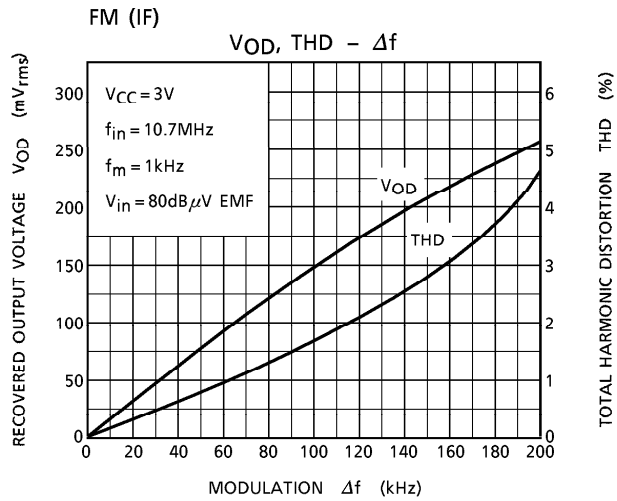
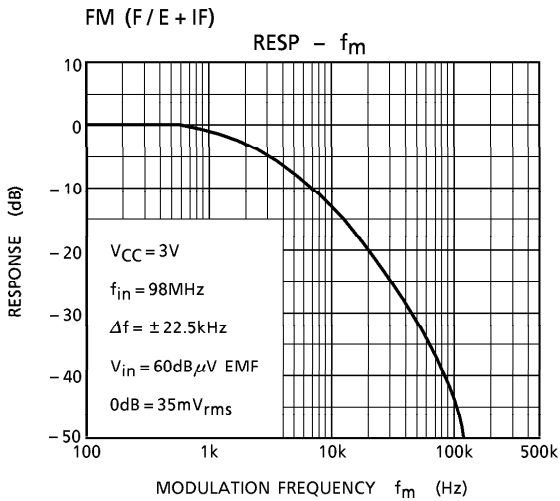
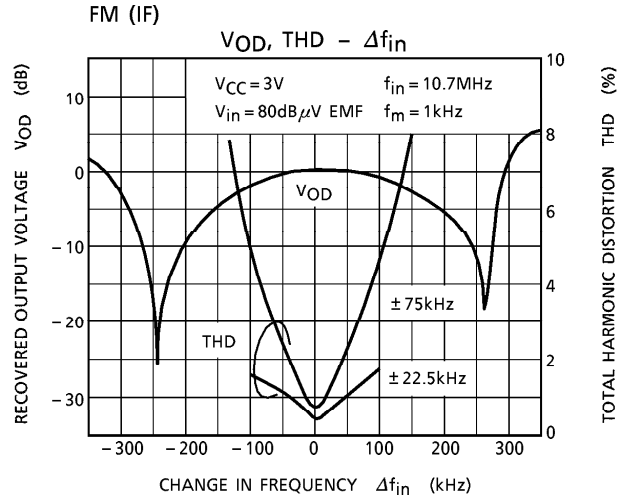
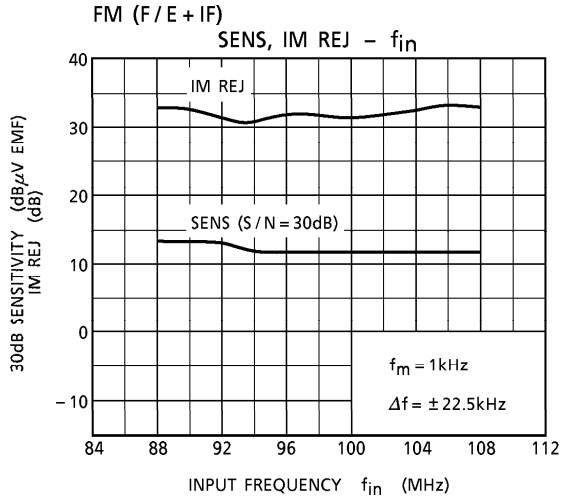
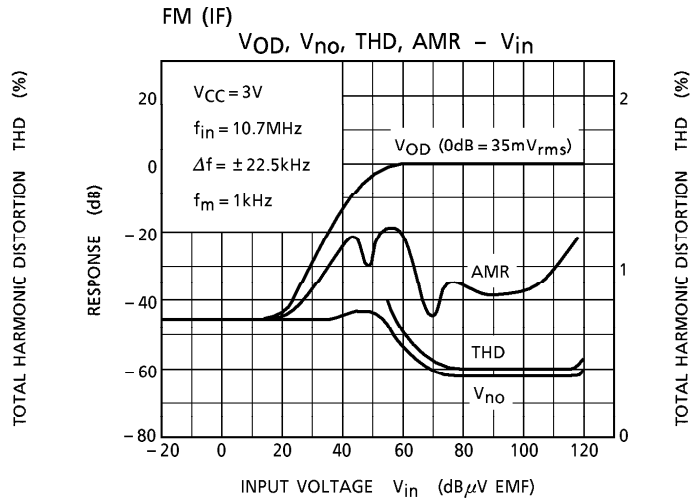
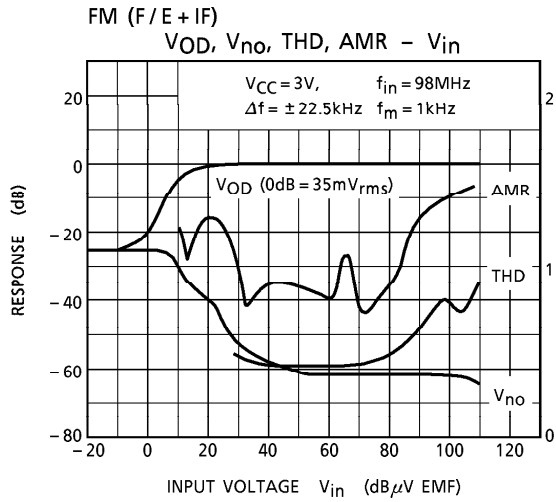


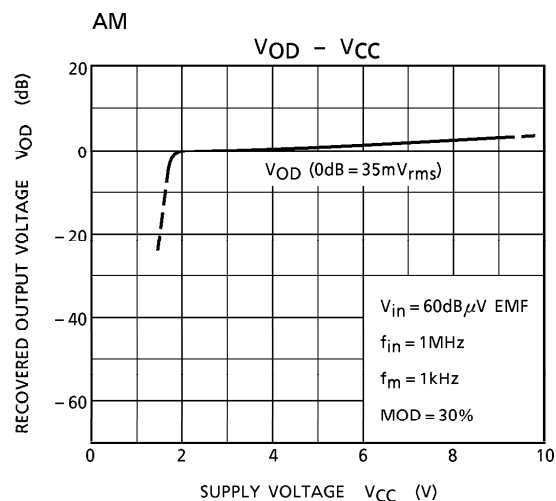
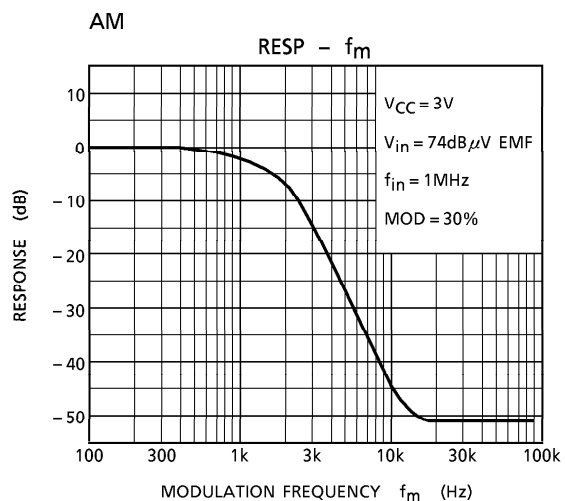
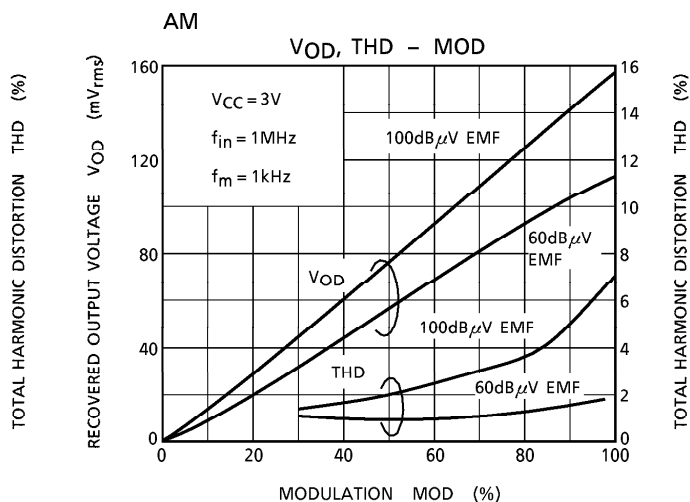
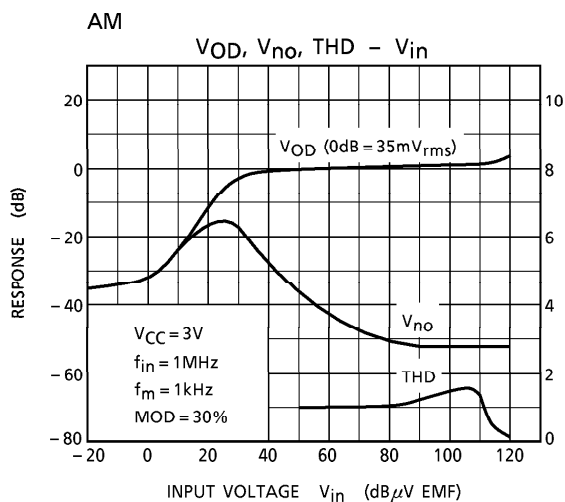
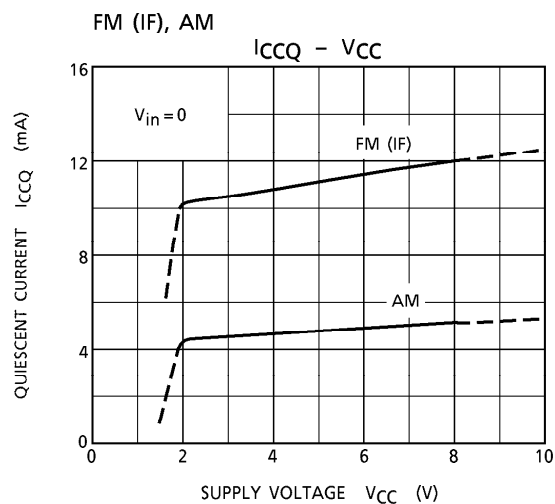
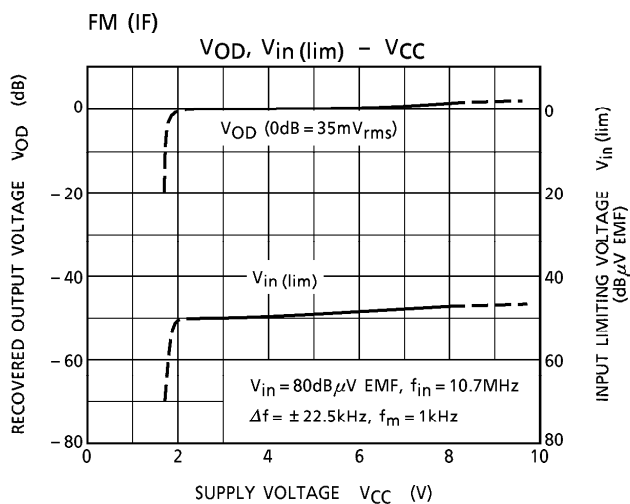
**COIL DATA**

COIL No.	f (Hz)	L ( $\mu$ H)	C <sub>0</sub> (pF)	Q <sub>0</sub>	TURNS					WIRE (mm $\phi$ )	REF.
					1-2	2-3	1-3	1-4	4-6		
L <sub>1</sub> FM RF	100M	—	—	100	—	—	—	2 $\frac{1}{4}$	—	0.5UEW	Ⓢ 0258-000-021
L <sub>2</sub> FM OSC	100M	—	—	100	—	—	1 $\frac{3}{4}$	—	—	0.5UEW	Ⓢ 0258-000-020
L <sub>3</sub> AM OSC	796k	268	—	125	14	86	—	—	—	0.06UEW	Ⓢ 2157-2239-213A
T <sub>1</sub> FM MIX	10.7M	—	75	100	—	—	13	—	2	0.1UEW	Ⓢ 2153-414-041A
T <sub>2</sub> AM MIX	455k	—	330	100	65	45	110	—	6	0.08UEW	Ⓢ 4140-1289-311
T <sub>3</sub> FM DET	10.7M	—	100	95	—	—	12	—	—	0.12UEW	Ⓢ 2153-4095-189

Ⓢ : SUMIDA ELECTRIC Co., Ltd.



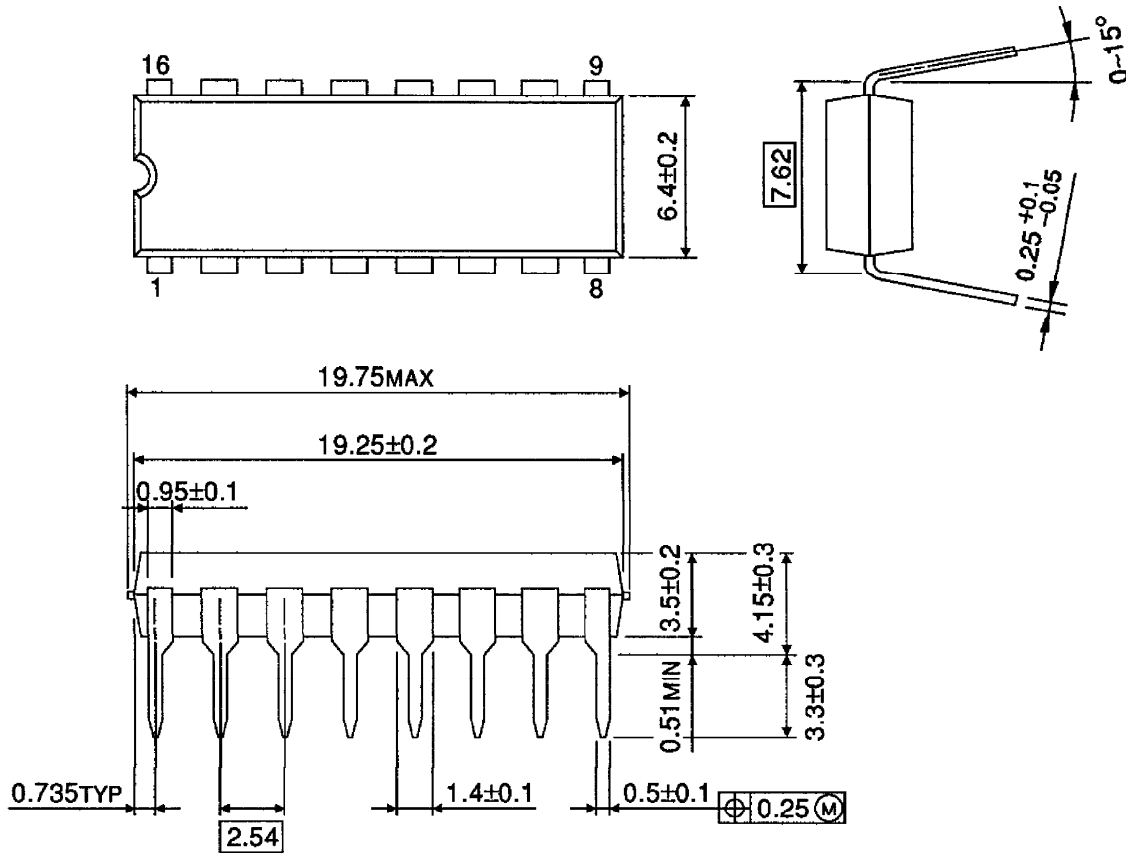






**OUTLINE DRAWING**  
DIP16-P-300A

Unit : mm



Weight : 1.0g (Typ.)

TA8164P - 9*
1996 - 6 - 17
<b>TOSHIBA CORPORATION</b>