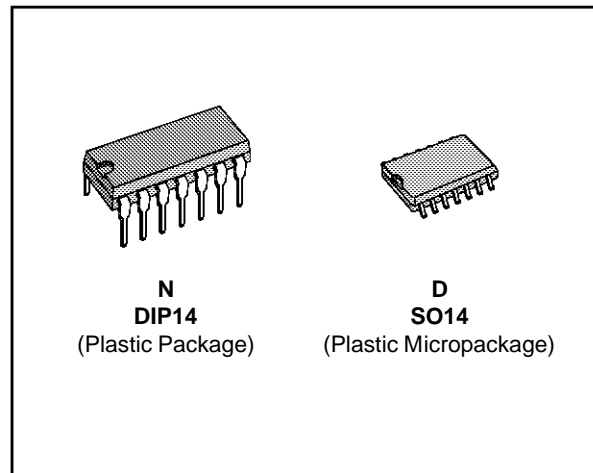


VERY LOW POWER QUAD CMOS OPERATIONAL AMPLIFIERS

- EXCELLENT PHASE MARGIN ON CAPACITIVE LOADS
- SYMETRICAL OUTPUT CURRENTS
- LOW OUTPUT DYNAMIC IMPEDANCE
- THE TRANSFER FUNCTION IS LINEAR
- PIN TO PIN COMPATIBLE WITH STANDARD QUAD OP-AMPS (TL084 -LM324)
- STABLE AND LOW OFFSET VOLTAGE
- THREE INPUT OFFSET VOLTAGE SELECTIONS



ORDER CODES

| Part Number | Temperature Range | Package | |
|---------------|-------------------|---------|---|
| | | N | D |
| TS27L4C/AC/BC | 0°C, +70°C | ● | ● |
| TS27L4I/AI/BI | -40°C, +125°C | ● | ● |
| TS27L4M/AM/BM | -55°C, +125°C | ● | ● |

Example : TS27L4ACN

27L4-01.TBL

DESCRIPTION

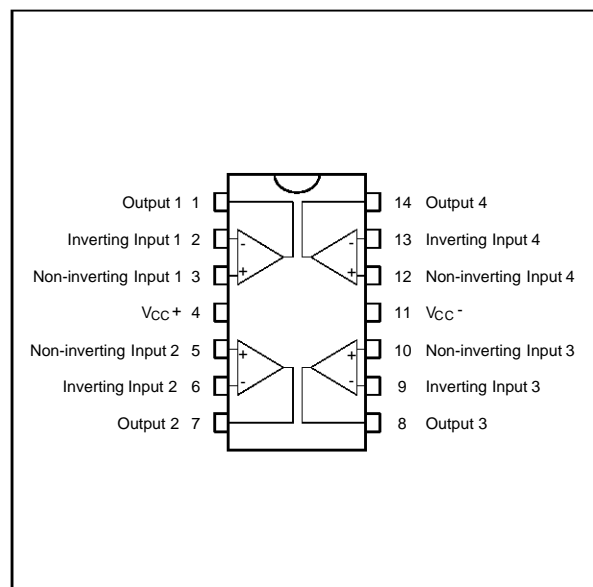
The TS274 series are low cost, low power quad operational amplifiers designed to operate with single or dual supplies. These operational amplifiers use the SGS-THOMSON silicon gate LIN MOS process giving them an excellent consumption-speed ratio. These series are ideally suited for low consumption applications.

Three power consumptions are available allowing to have always the best consumption-speed ratio :

- $I_{CC} = 10\mu\text{A}/\text{amp.}$: TS27L4 (very low power)
- $I_{CC} = 150\mu\text{A}/\text{amp.}$: TS27M4 (low power)
- $I_{CC} = 1\text{mA}/\text{amp.}$: TS274 (high speed)

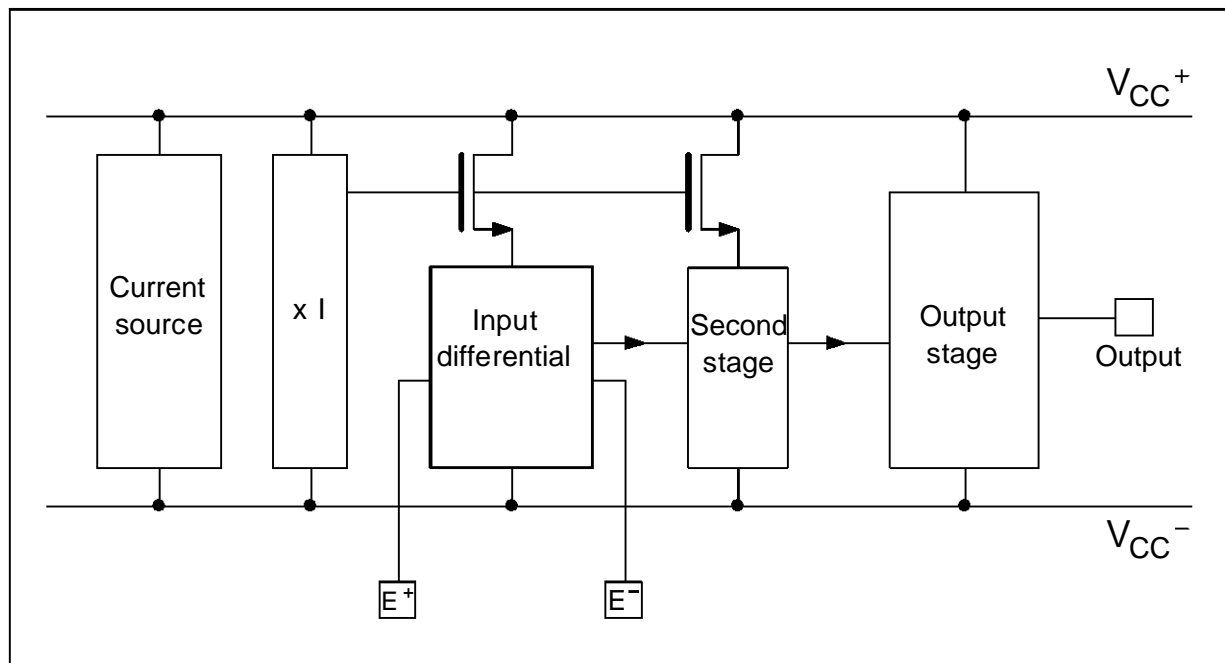
These CMOS amplifiers offer very high input impedance and extremely low input currents. The major advantage versus JFET devices is the very low input currents drift with temperature (see figure 2).

PIN CONNECTIONS (top view)



27L4-01.EPS

BLOCK DIAGRAM



27L4-02.EPS

MAXIMUM RATINGS

| Symbol | Parameter | Value | Unit |
|------------|--|---|-------------|
| V_{CC}^+ | Supply Voltage - (note 1) | 18 | V |
| V_{id} | Differential Input Voltage - (note 2) | ± 18 | V |
| V_i | Input Voltage - (note 3) | -0.3 to 18 | V |
| I_O | Output Current for $V_{CC}^+ \geq 15V$ | ± 30 | mA |
| I_{in} | Input Current | ± 5 | mA |
| T_{oper} | Operating Free-Air Temperature Range | TS27L4C/AC/BC TS27L4I/AI/BI TS27L4M/AM/BM 0 to +70 -40 to +125 -55 to +125 | $^{\circ}C$ |
| T_{stg} | Storage Temperature Range | -65 to +150 | $^{\circ}C$ |

27L4-03.TBL

Notes : 1. All voltage values, except differential voltage, are with respect to network ground terminal.
 2. Differential voltages are at the non-inverting input terminal with respect to the inverting input terminal.
 3. The magnitude of the input and the output voltages must never exceed the magnitude of the positive supply voltage.

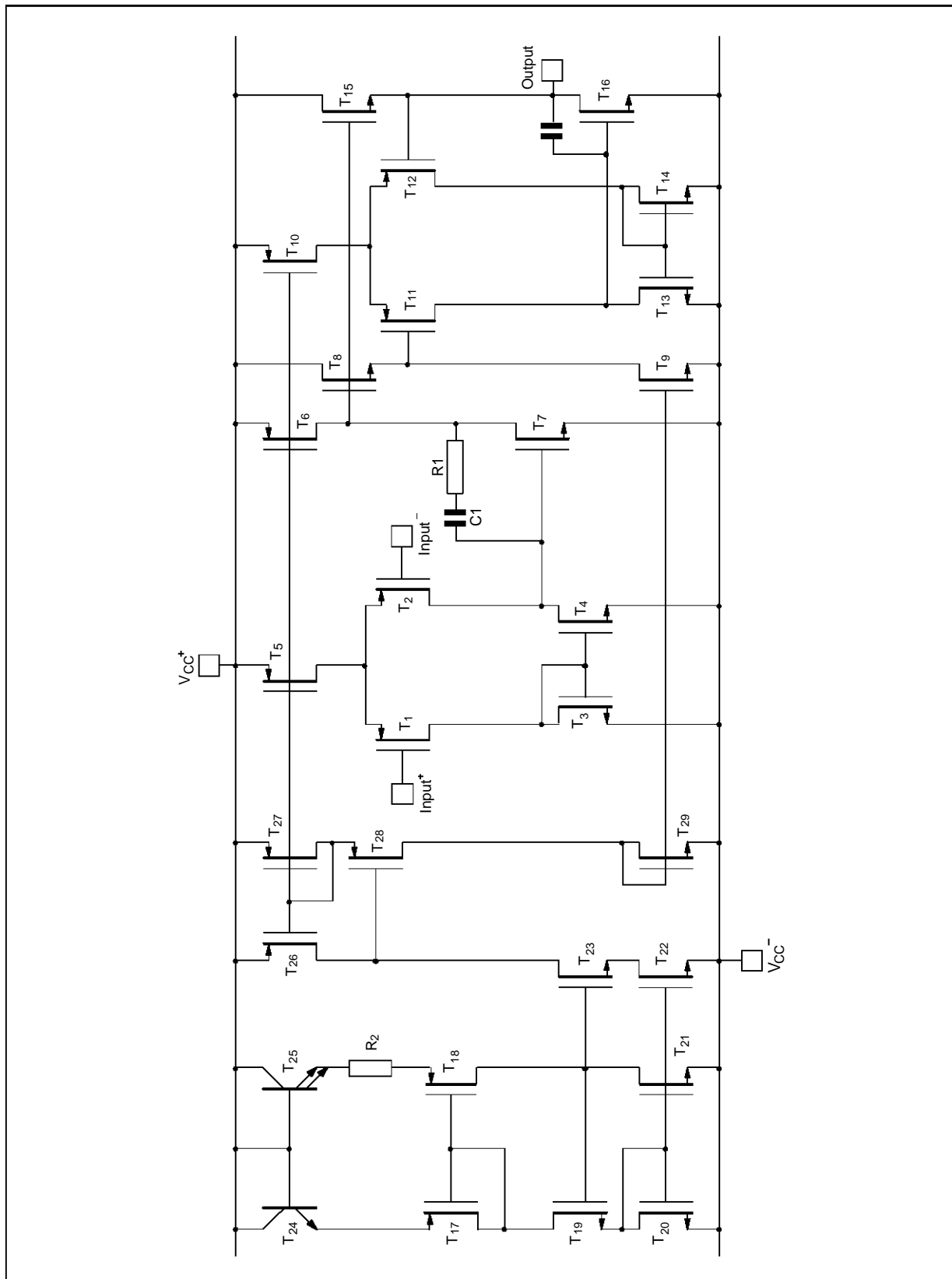
OPERATING CONDITIONS

| Symbol | Parameter | Value | Unit |
|------------|---------------------------------|-----------------------|------|
| V_{CC}^+ | Supply Voltage | 3 * to 16 | V |
| V_{icm} | Common Mode Input Voltage Range | 0 to $V_{CC}^+ - 1.5$ | V |

27L4-03.TBL

* Selected devices only.

SCHEMATIC DIAGRAM (for 1/4 TS27L4)



27L4-03.EPS

TS27L4C,I,M

ELECTRICAL CHARACTERISTICS

$V_{CC}^+ = +10V$, $V_{CC}^- = 0V$, $T_{amb} = 25^{\circ}C$ (unless otherwise specified)

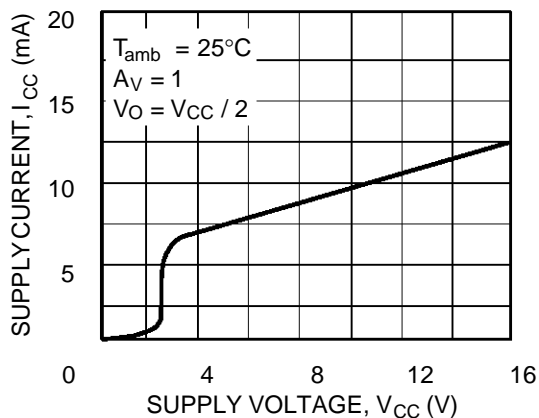
| Symbol | Parameter | TS27L4C/AC/BC | | | TS27L4I/AI/BI TS27L4M/AM/BM | | | Unit |
|-----------------|---|---------------|--------------------|--------------------------------|--------------------------------|--------------------|----------------------------------|------------------------|
| | | Min. | Typ. | Max. | Min. | Typ. | Max. | |
| V_{io} | Input Offset Voltage $V_O = 1.4V$, $V_{ic} = 0V$ TS27L4C/I/M TS27L4AC/AI/AM TS27L4BC/BI/BM $T_{min.} \leq T_{amb} \leq T_{max.}$ TS27L4C/I/M TS27L4AC/AI/AM TS27L4BC/BI/BM | | 1.1 0.9 0.25 | 10 5 2 12 6.5 3 | | 1.1 0.9 0.25 | 10 5 2 12 6.5 3.5 | mV |
| DV_{io} | Input Offset Voltage Drift | | 0.7 | | | 0.7 | | $\mu V/^{\circ}C$ |
| I_{io} | Input Offset Current - (note 1) $V_{ic} = 5V$, $V_o = 5V$ $T_{min.} \leq T_{amb} \leq T_{max.}$ | | 1 | 100 | | 1 | 200 | pA |
| I_{ib} | Input Bias Current - (note 1) $V_{ic} = 5V$, $V_o = 5V$ $T_{min.} \leq T_{amb} \leq T_{max.}$ | | 1 | 150 | | 1 | 300 | pA |
| V_{OH} | High Level Output Voltage $V_{id} = 100mV$, $R_L = 1M\Omega$ $T_{min.} \leq T_{amb} \leq T_{max.}$ | 8.8 8.7 | 9 | | 8.8 8.6 | 9 | | V |
| V_{OL} | Low Level Output Voltage $V_{id} = -100mV$ | | | 50 | | | 50 | mV |
| A_{vd} | Large Signal Voltage Gain $V_o = 1V$ to $6V$, $R_L = 1M\Omega$, $V_{ic} = 5V$ $T_{min.} \leq T_{amb} \leq T_{max.}$ | 60 45 | 100 | | 60 40 | 100 | | V/mV |
| GBP | Gain Bandwidth Product $A_v = 40dB$, $R_L = 1M\Omega$, $C_L = 100pF$ $f_{in} = 10kHz$ | | 0.1 | | | 0.1 | | MHz |
| CMR | Common Mode Rejection Ratio $V_o = 1.4V$, $V_{ic} = 1V$ to $7.4V$ | 65 | 80 | | 65 | 80 | | dB |
| SVR | Supply Voltage Rejection Ratio $V_{CC}^+ = 5V$ to $10V$, $V_o = 1.4V$ | 60 | 80 | | 60 | 80 | | dB |
| I_{CC} | Supply Current (per amplifier) $A_v = 1$, no load, $V_o = 5V$ $T_{min.} \leq T_{amb} \leq T_{max.}$ | | 10 | 15 17 | | 10 | 15 18 | μA |
| I_o | Output Short Circuit Current $V_{id} = 100mV$, $V_o = 0V$ | | 60 | | | 60 | | mA |
| I_{sink} | Output Sink Current $V_{id} = -100mV$, $V_o = V_{CC}$ | | 45 | | | 45 | | mA |
| SR | Slew-Rate at Unity Gain $R_L = 1M\Omega$, $C_L = 100pF$, $V_i = 3$ to $7V$ | | 0.04 | | | 0.04 | | V/ μs |
| ϕ_m | Phase Margin at Unity Gain $A_v = 40dB$, $R_L = 1M\Omega$, $C_L = 100pF$ | | 45 | | | 45 | | Degrees |
| K_{ov} | Overshoot Factor | | 30 | | | 30 | | % |
| e_n | Equivalent Input Noise Voltage $f = 1kHz$, $R_S = 100\Omega$ | | 68 | | | 68 | | $\frac{nV}{\sqrt{Hz}}$ |
| V_{O1}/V_{O2} | Channel Separation | | 120 | | | 120 | | dB |

Note : 1. Maximum values including unavoidable inaccuracies of the industrial test.

27L4-04-TBL

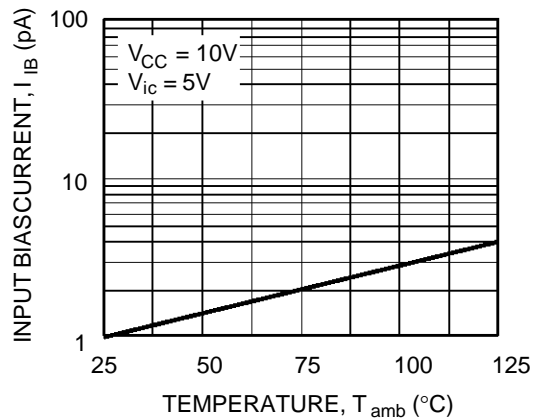
TYPICAL CHARACTERISTICS

Figure 1 : Supply Current (each amplifier) versus Supply Voltage



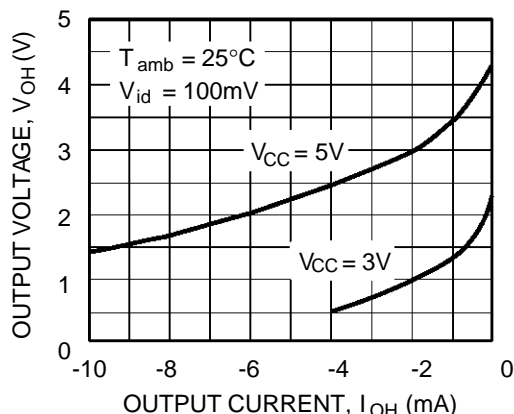
27L4-04.EPS

Figure 2 : Input Bias Current versus Free Air Temperature



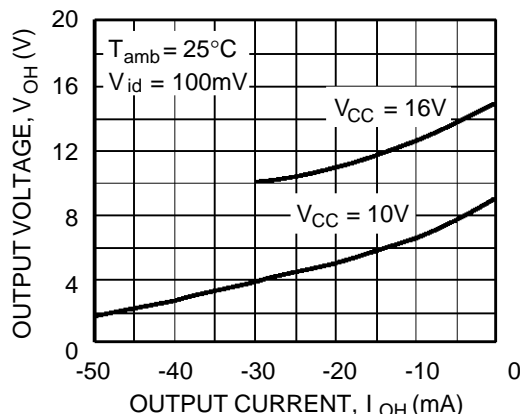
27L4-05.EPS

Figure 3a : High Level Output Voltage versus High Level Output Current



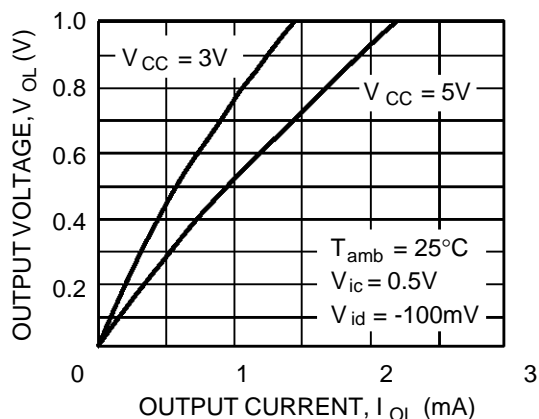
27L4-06.EPS

Figure 3b : High Level Output Voltage versus High Level Output Current



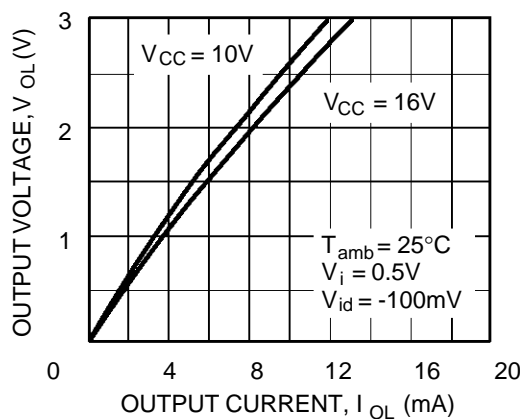
27L4-07.EPS

Figure 4a : Low Level Output Voltage versus Low Level Output Current



27L4-08.EPS

Figure 4b : Low Level Output Voltage versus Low Level Output Current



27L4-09.EPS

TYPICAL CHARACTERISTICS (continued)

Figure 5 : Open Loop Frequency Response and Phase Shift

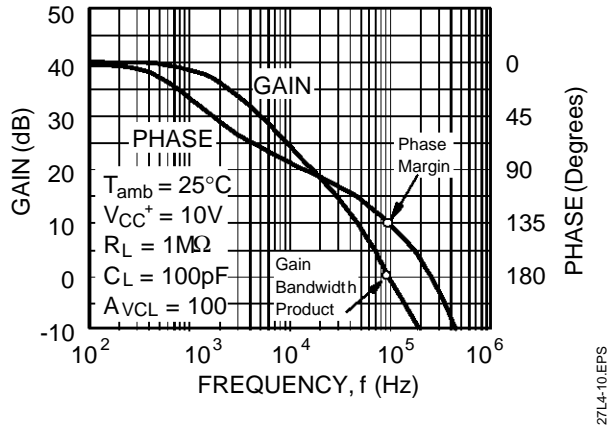


Figure 6 : Gain Bandwidth Product versus Supply Voltage

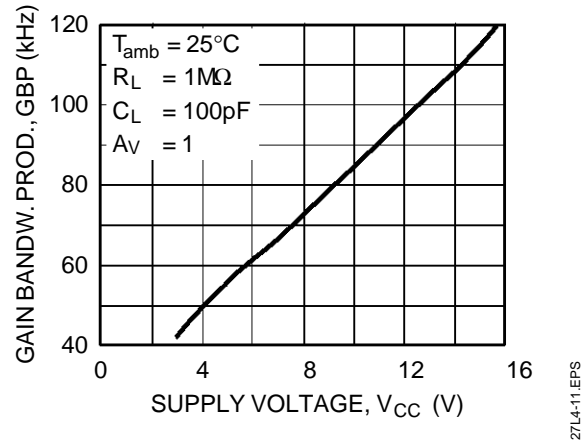


Figure 7 : Phase Margin versus Supply Voltage

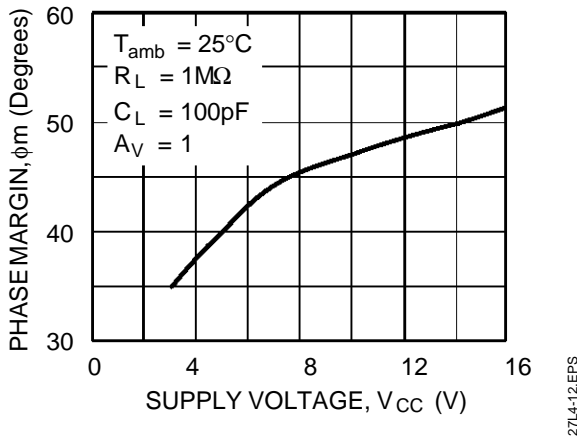


Figure 8 : Phase Margin versus Capacitive Load

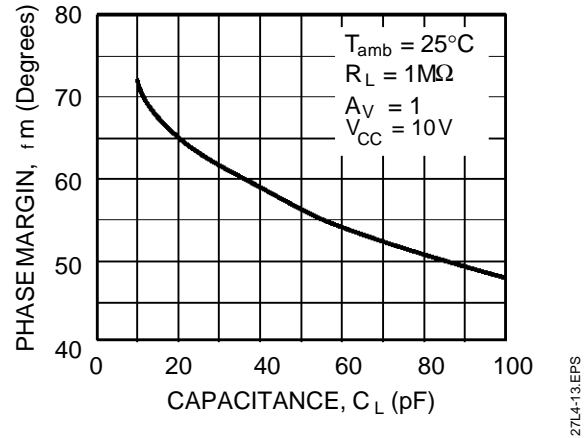


Figure 9 : Slew Rates versus Supply Voltage

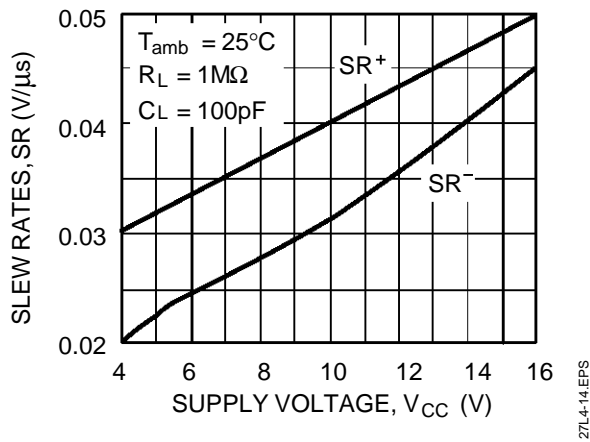
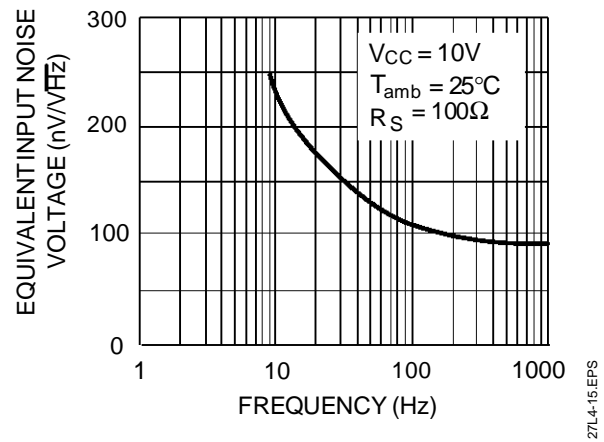
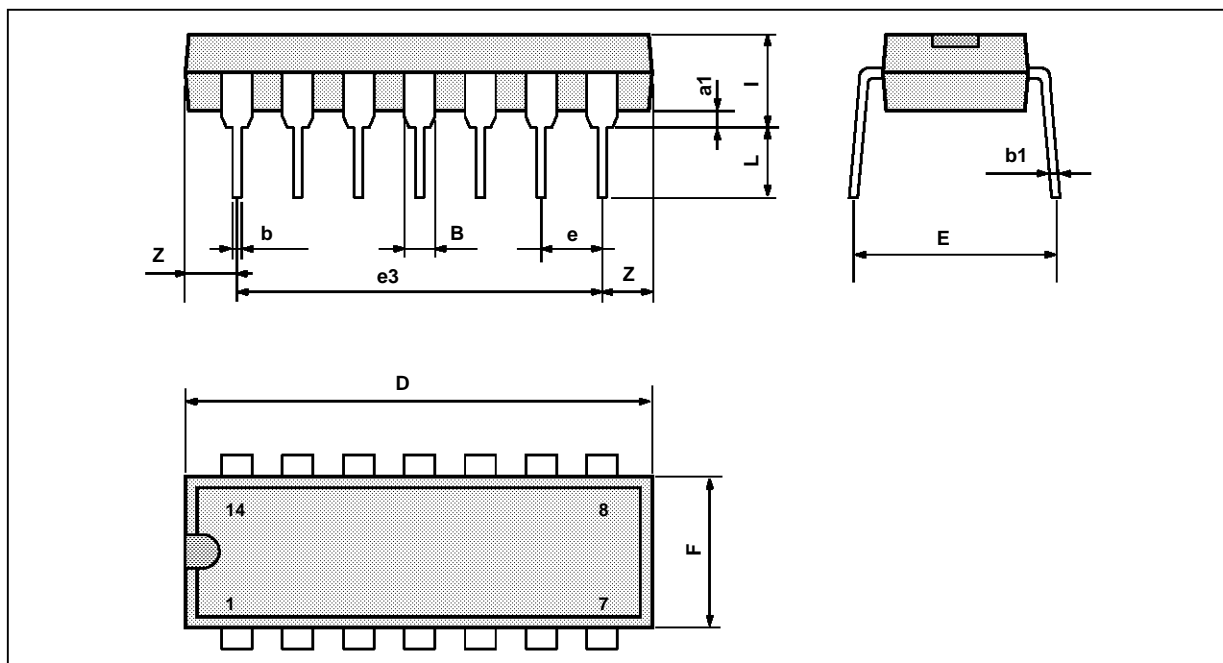


Figure 10 : Input Voltage Noise versus Frequency



PACKAGE MECHANICAL DATA
14 PINS - PLASTIC DIP

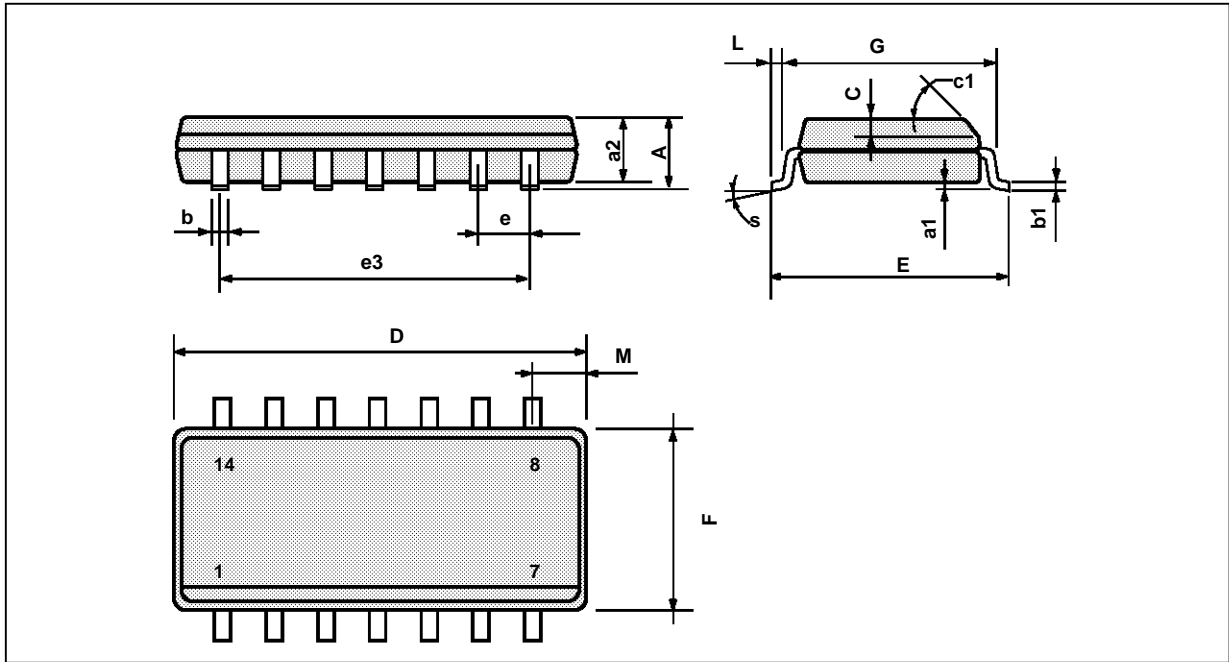


PM-DIP14.EPS

| Dimensions | Millimeters | | | Inches | | |
|------------|-------------|-------|------|--------|-------|-------|
| | Min. | Typ. | Max. | Min. | Typ. | Max. |
| a1 | 0.51 | | | 0.020 | | |
| B | 1.39 | | 1.65 | 0.055 | | 0.065 |
| b | | 0.5 | | | 0.020 | |
| b1 | | 0.25 | | | 0.010 | |
| D | | | 20 | | | 0.787 |
| E | | 8.5 | | | 0.335 | |
| e | | 2.54 | | | 0.100 | |
| e3 | | 15.24 | | | 0.600 | |
| F | | | 7.1 | | | 0.280 |
| i | | | 5.1 | | | 0.201 |
| L | | 3.3 | | | 0.130 | |
| Z | 1.27 | | 2.54 | 0.050 | | 0.100 |

DIP14.TBL

PACKAGE MECHANICAL DATA
14 PINS - PLASTIC MICROPACKAGE (SO)



PM-SO14LEPS

| Dimensions | Millimeters | | | Inches | | |
|------------|-------------|------|------|--------|-------|-------|
| | Min. | Typ. | Max. | Min. | Typ. | Max. |
| A | | | 1.75 | | | 0.069 |
| a1 | 0.1 | | 0.2 | 0.004 | | 0.008 |
| a2 | | | 1.6 | | | 0.063 |
| b | 0.35 | | 0.46 | 0.014 | | 0.018 |
| b1 | 0.19 | | 0.25 | 0.007 | | 0.010 |
| C | | 0.5 | | | 0.020 | |
| c1 | 45° (typ.) | | | | | |
| D | 8.55 | | 8.75 | 0.336 | | 0.334 |
| E | 5.8 | | 6.2 | 0.228 | | 0.244 |
| e | | 1.27 | | | 0.050 | |
| e3 | | 7.62 | | | 0.300 | |
| F | 3.8 | | 4.0 | 0.150 | | 0.157 |
| G | 4.6 | | 5.3 | 0.181 | | 0.208 |
| L | 0.5 | | 1.27 | 0.020 | | 0.050 |
| M | | | 0.68 | | | 0.027 |
| S | 8° (max.) | | | | | |

SO14.TBL

Information furnished is believed to be accurate and reliable. However, SGS-THOMSON Microelectronics assumes no responsibility for the consequences of use of such information nor for any infringement of patents or other rights of third parties which may result from its use. No licence is granted by implication or otherwise under any patent or patent rights of SGS-THOMSON Microelectronics. Specifications mentioned in this publication are subject to change without notice. This publication supersedes and replaces all information previously supplied. SGS-THOMSON Microelectronics products are not authorized for use as critical components in life support devices or systems without express written approval of SGS-THOMSON Microelectronics.

© 1995 SGS-THOMSON Microelectronics - All Rights Reserved

SGS-THOMSON Microelectronics GROUP OF COMPANIES

Australia - Brazil - France - Germany - Hong Kong - Italy - Japan - Korea - Malaysia - Malta - Morocco - The Netherlands
Singapore - Spain - Sweden - Switzerland - Taiwan - Thailand - United Kingdom - U.S.A.

ORDER CODE :