



LA7051

Video, Audio Signal Processor for UHF Band RF Modulator

Overview

The LA7051 is a video, audio signal processor IC for UHF band RF modulator. It performs the functions of audio FM modulator, video clamp circuit, white clip circuit.

Applications

- VCRs.

Features

- 5.5MHz/6.0MHz audio modulation frequency selectable with control pin.
- Contains white clip circuit.
- Minimum number of external parts required.

Specifications

Maximum Ratings at Ta=25°C

Parameter	Symbol	Conditions	Ratings	Unit
Maximum supply voltage	V _{CC} max	V8	12	V
Allowable power dissipation	P _d max	Ta≤60°C	250	mW
Operating temperature	T _{opr}		-20 to +85	°C
Storage temperature	T _{stg}		-55 to +125	°C

Operating Conditions at Ta=25°C

Parameter	Symbol	Conditions	Ratings	Unit
Recommended supply voltage	V _{CC}	V8	7.5	V
Operating voltage range	V _{CC} op		7.0 to 8.0	V

Operating Characteristics at Ta=25°C, V_{CC} (V8)=7.5V

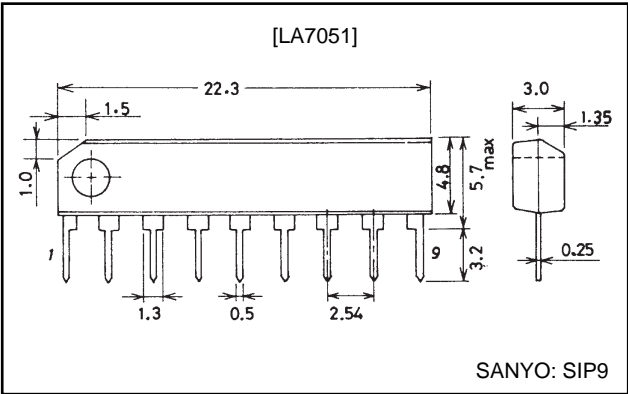
Parameter	Symbol	Conditions	Ratings			Unit
			min	typ	max	
V _{CC} 8 current drain	I _{CC} 8		9.5	14.5	19.5	mA
Video clamp voltage	V _{VC}		3.6	3.8	4.0	V
Audio FM sensitivity	Δf _{fm} 6	f _m : 1kHz, 4.5Vp-p input, f _C : 5.5MHz	900	1250	1600	Hz/mV
	Δf _{fm} 7	f _m : 1kHz, 4.5Vp-p input, f _C : 5.5MHz, R* : 15kΩ	900	1250	1600	Hz/mV
Audio distortion	THD6	At deviation width ±50kHz		1.6	2.5	%
	THD7	f _m : 1kHz, f _C : 5.5MHz		1.6	2.5	%
Video clamp output amplitude deviation		At 1Vp-p stair step signal input	-5		+5	%
Audio output amplitude	V _O 6	f _C : 5.5MHz	0.79	1.0	1.26	Vp-p
	V _O 7		0.79	1.0	1.26	Vp-p
White clip level	V _{WC}	At 1.5Vp-p stair step signal input	1.100		1.189	Vp-p

*Note : Resistance value of 50kΩ variable resistor in Test Circuit.

Package Dimensions

unit: mm

3017C-SIP9

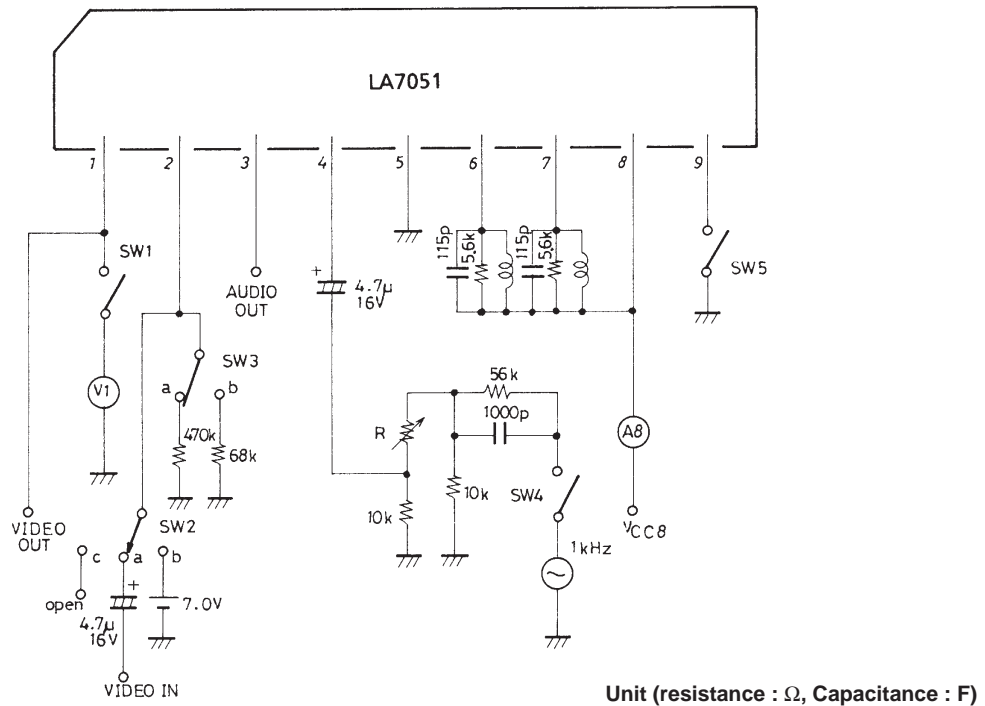


LA7051

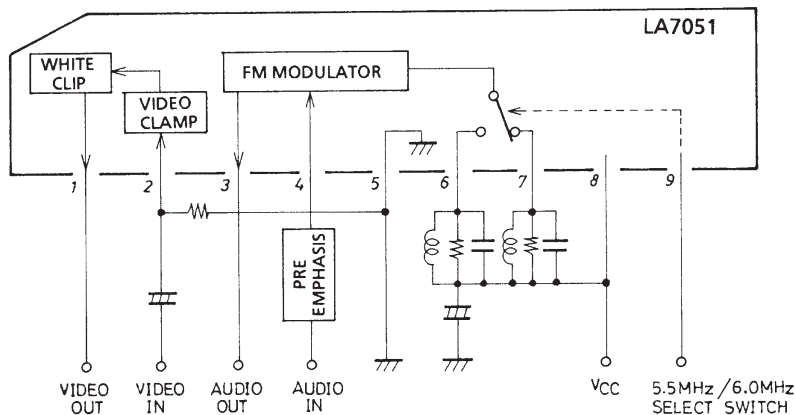
LA7051 Test Condition

Parameter	Symbol	SW Mode					Test point	Remarks
		SW1	SW2	SW3	SW4	SW5		
V _{CC8} current drain	I _{CC8}	OFF	c	a	OFF	ON	Pin 8	
Video clamp voltage	V _{VC}	ON	c	a	OFF	OFF	Pin 1	
Audio FM sensitivity	Δf _{fm6}	OFF	c	a	ON	ON	Pin 3	
	Δf _{fm7}	OFF	c	a	ON	OFF	Pin 3	
Audio distortion	THD6	OFF	c	a	ON	ON	pin 3	
	THD7	OFF	c	a	ON	OFF	pin 3	
Video clamp output amplitude deviation		OFF	a	a	OFF	OFF	Pin 1	
Audio output amplitude	V _{O6}	OFF	c	a	OFF	ON	Pin 3	
	V _{O7}	OFF	c	a	OFF	OFF	pin 3	
White clip level	V _{WC1}	ON	b	a	OFF	OFF	Pin 1	V _{WC} =V _{WC1} -V _{WC2}
	V _{WC2}	ON	c	b	OFF	OFF	Pin 1	

Test Circuit



Equivalent Circuit Block Diagram



- No products described or contained herein are intended for use in surgical implants, life-support systems, aerospace equipment, nuclear power control systems, vehicles, disaster/crime-prevention equipment and the like, the failure of which may directly or indirectly cause injury, death or property loss.
- Anyone purchasing any products described or contained herein for an above-mentioned use shall:
 - ① Accept full responsibility and indemnify and defend SANYO ELECTRIC CO., LTD., its affiliates, subsidiaries and distributors and all their officers and employees, jointly and severally, against any and all claims and litigation and all damages, cost and expenses associated with such use:
 - ② Not impose any responsibility for any fault or negligence which may be cited in any such claim or litigation on SANYO ELECTRIC CO., LTD., its affiliates, subsidiaries and distributors or any of their officers and employees jointly or severally.
- Information (including circuit diagrams and circuit parameters) herein is for example only; it is not guaranteed for volume production. SANYO believes information herein is accurate and reliable, but no guarantees are made or implied regarding its use or any infringements of intellectual property rights or other rights of third parties.

This catalog provides information as of July, 1997. Specifications and information herein are subject to change without notice.